

PROJECT

Shop Project

TITLE

Drill Press Cabinet

APPROVED

SIZE

CODE

DWG NO

REV

CHECKED

A

DRAWN

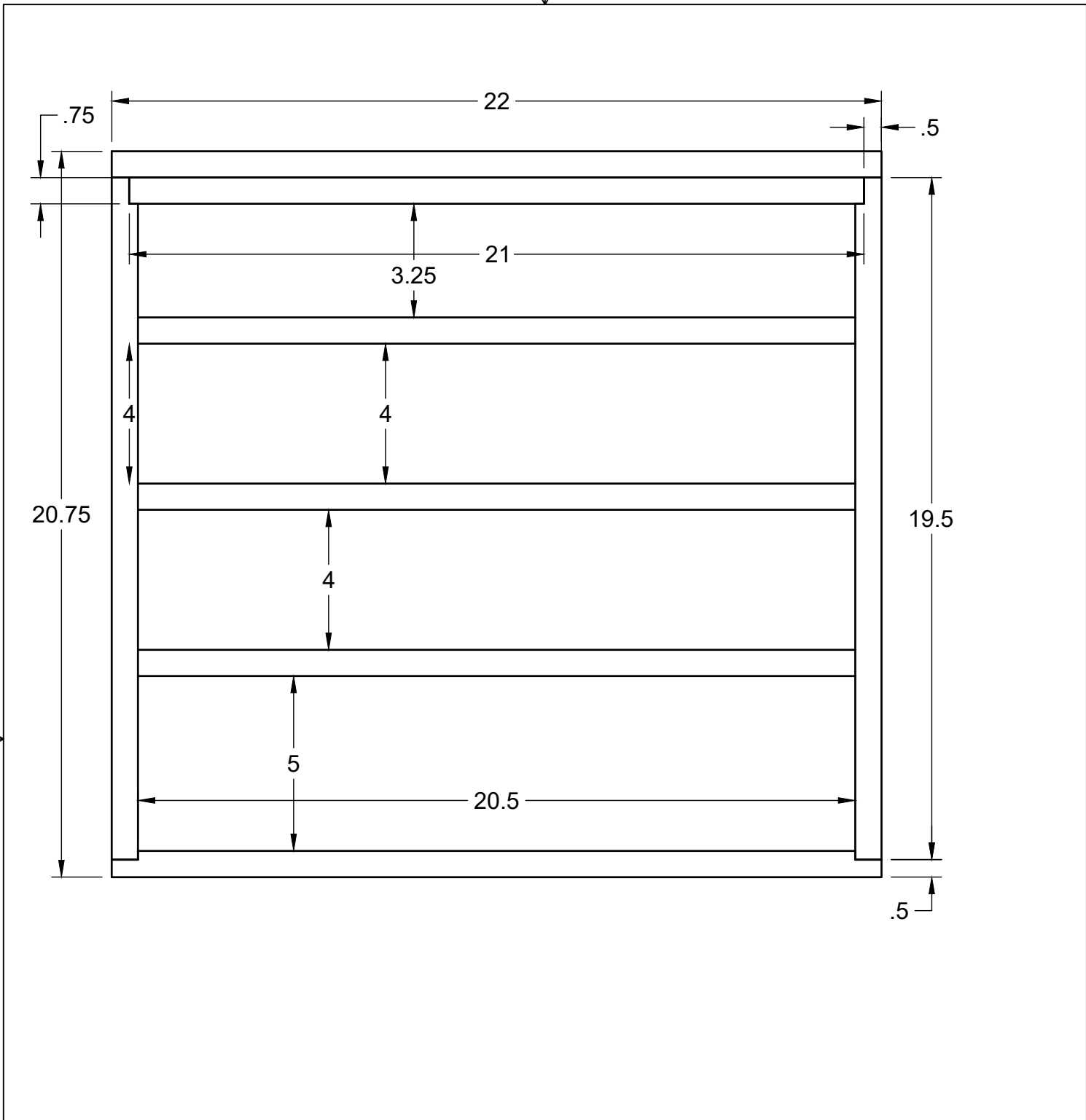
jf

8/27/2021

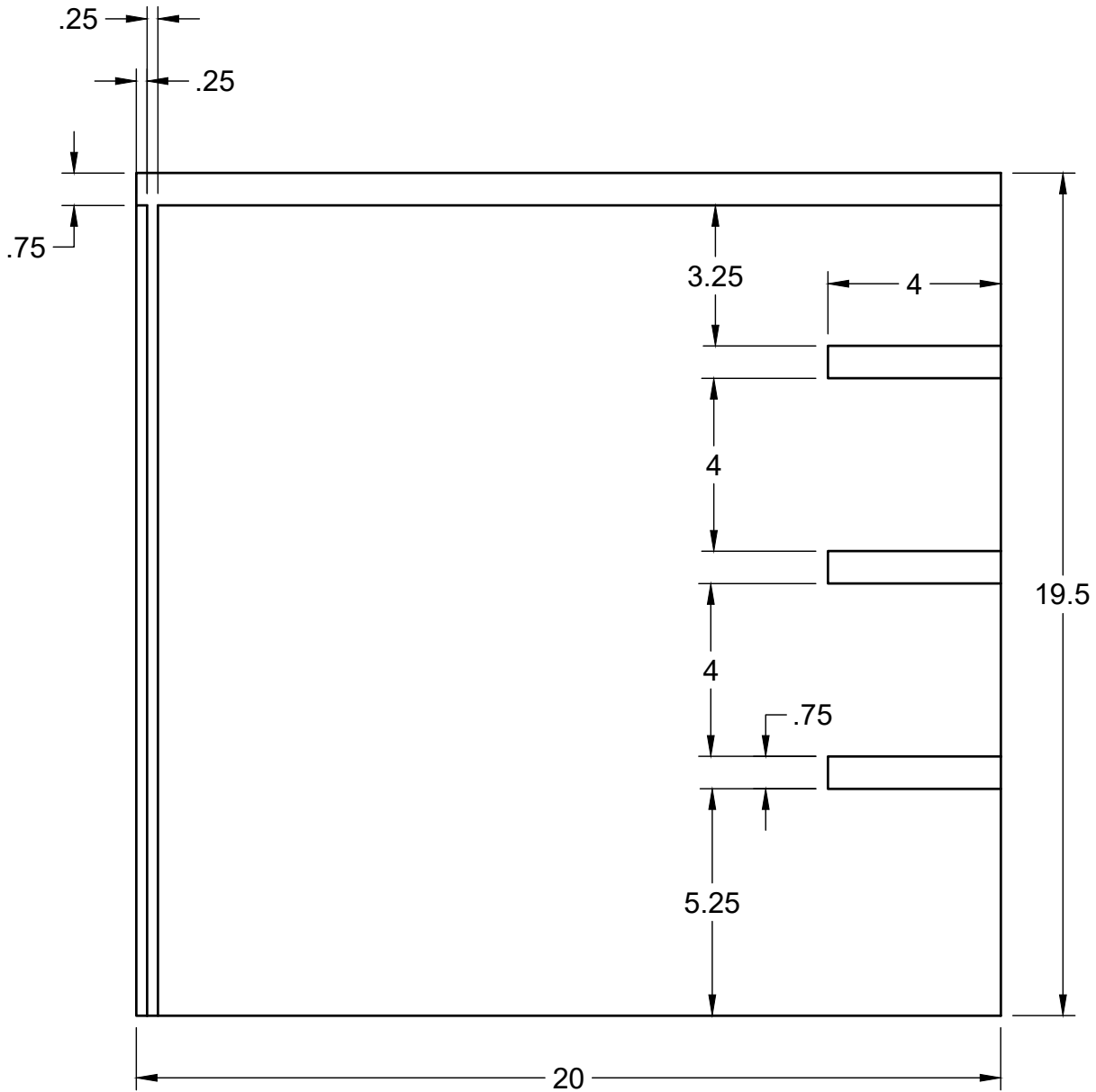
SCALE 1:6

WEIGHT

SHEET 1/6



		PROJECT Shop Project		
		TITLE Drill Press Cabinet Back Reveal		
APPROVED	SIZE	CODE	DWG NO	REV
CHECKED	A			
DRAWN jf	8/27/2021	SCALE 1:4	WEIGHT	SHEET 2/6



PROJECT

Shop Project

TITLE

**Drill Press Cabinet
Side**

APPROVED

SIZE

CODE

DWG NO

REV

CHECKED

A

DRAWN

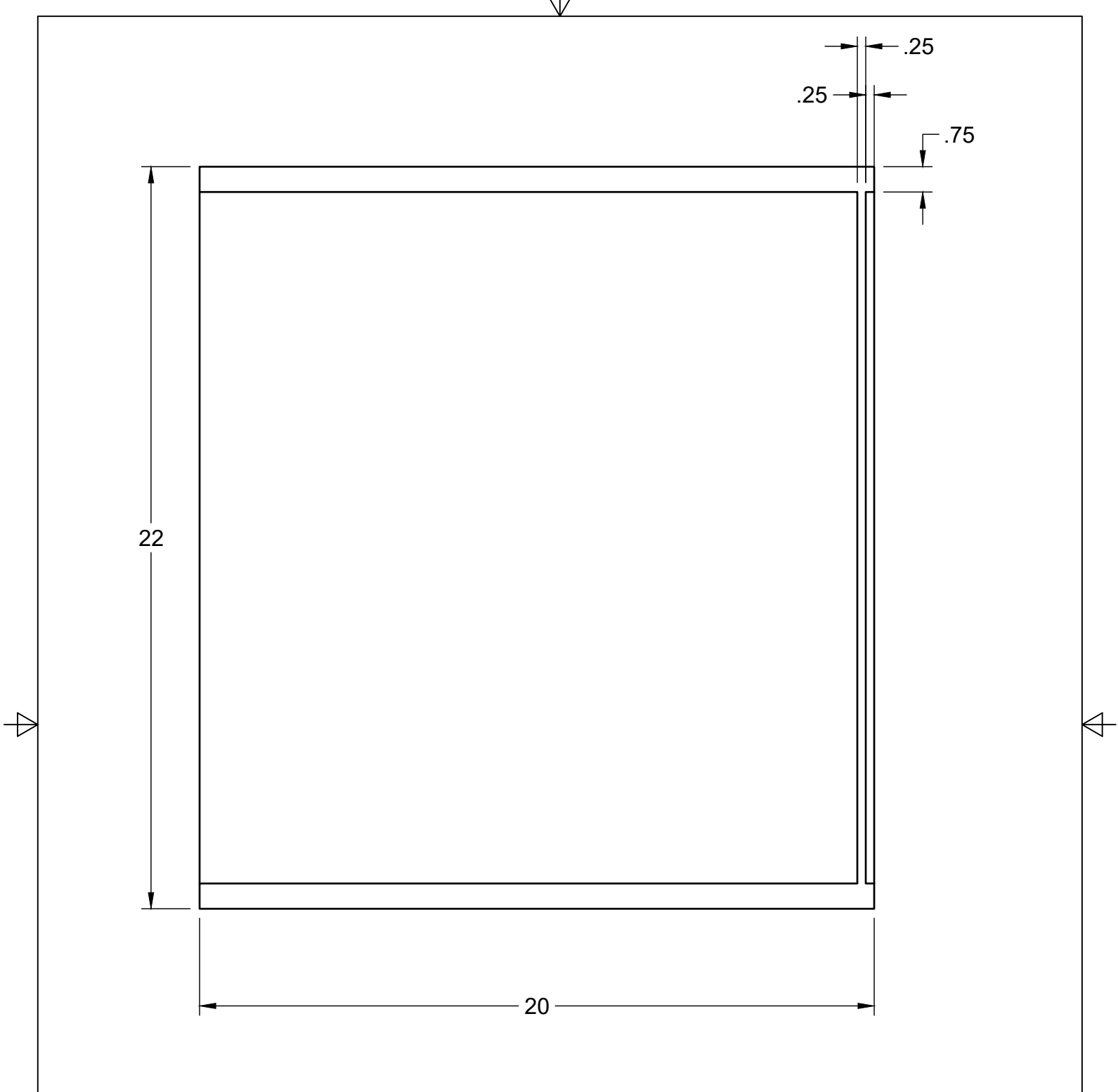
j f

8/27/2021

SCALE 1:4

WEIGHT

SHEET 3/6



PROJECT

Shop Project

TITLE

**Drill Press Cabinet
Bottom Panel**

APPROVED

SIZE

CODE

DWG NO

REV

CHECKED

A

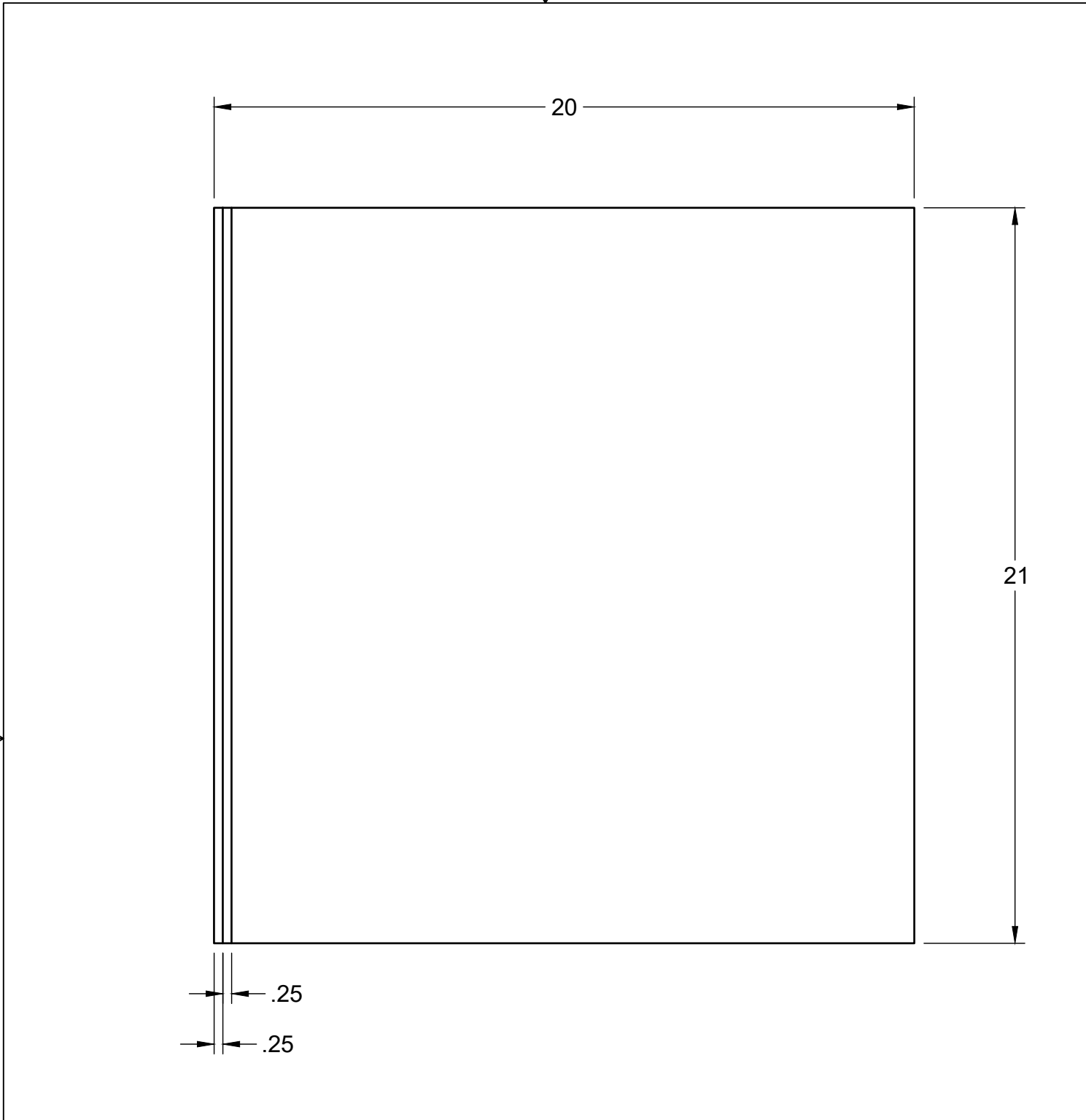
DRAWN jf

8/27/2021

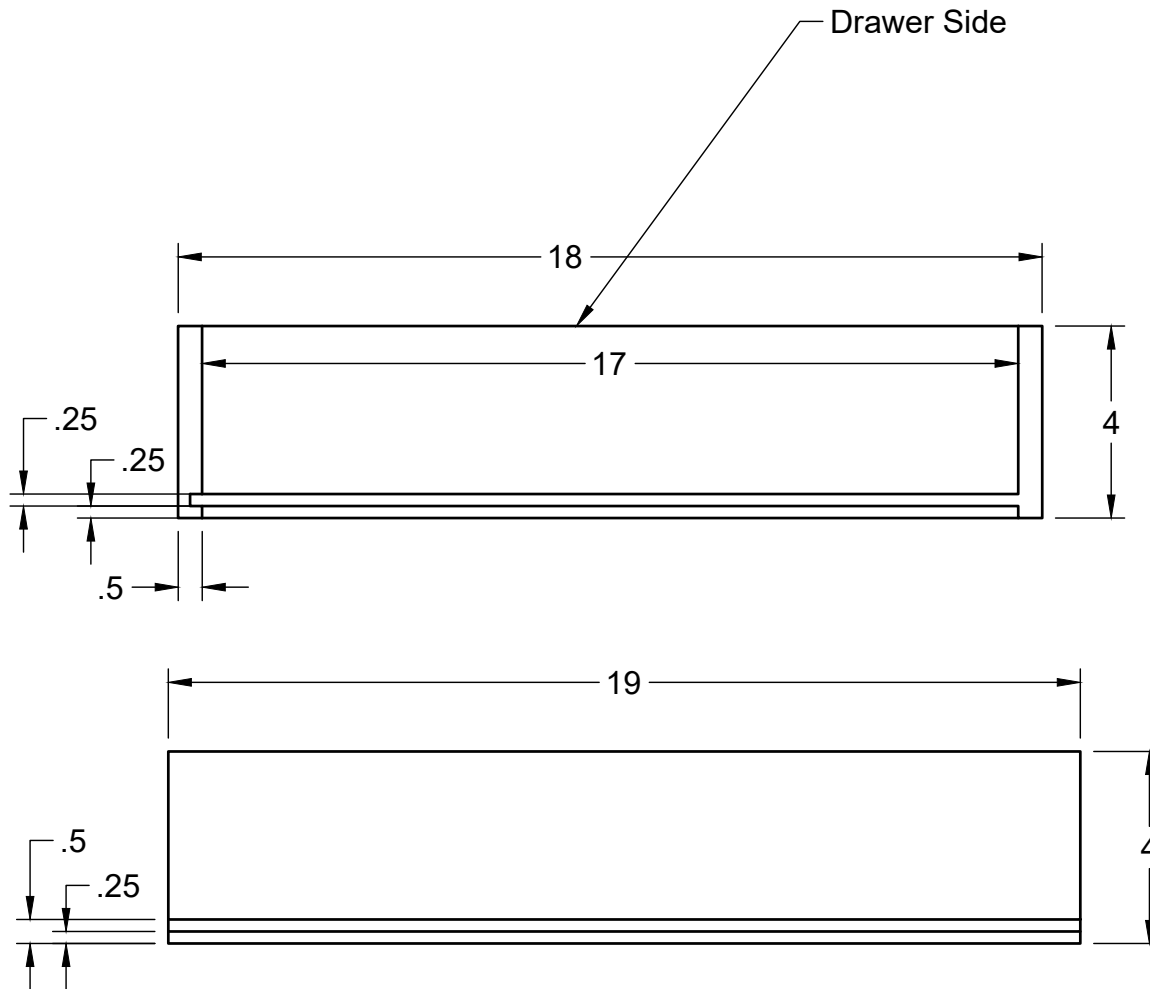
SCALE 1:4

WEIGHT

SHEET 4/6



		PROJECT		
		Shop Project		
		TITLE		
		Drill Press Cabinet Top Panel - Bottom Layer		
APPROVED	SIZE	CODE	DWG NO	REV
CHECKED	A			
DRAWN jf	8/27/2021	SCALE 1:4	WEIGHT	SHEET 5/6



PROJECT

Shop Project

TITLE

Drill Press Cabinet
Drawer

APPROVED

SIZE

CODE

DWG NO

REV

CHECKED

A

DRAWN

jf

8/27/2021

SCALE 1:4

WEIGHT

SHEET 6/6