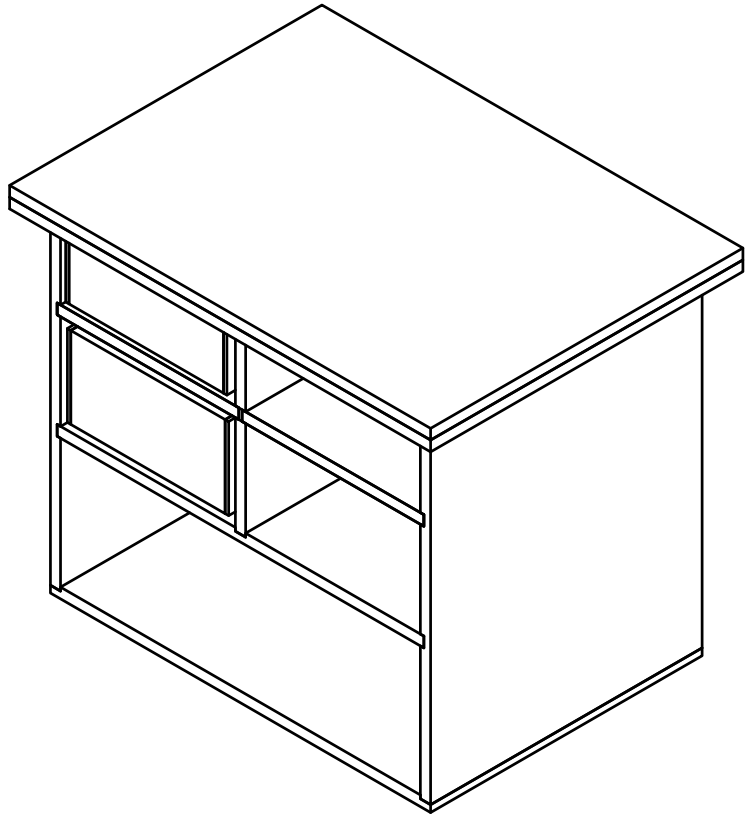
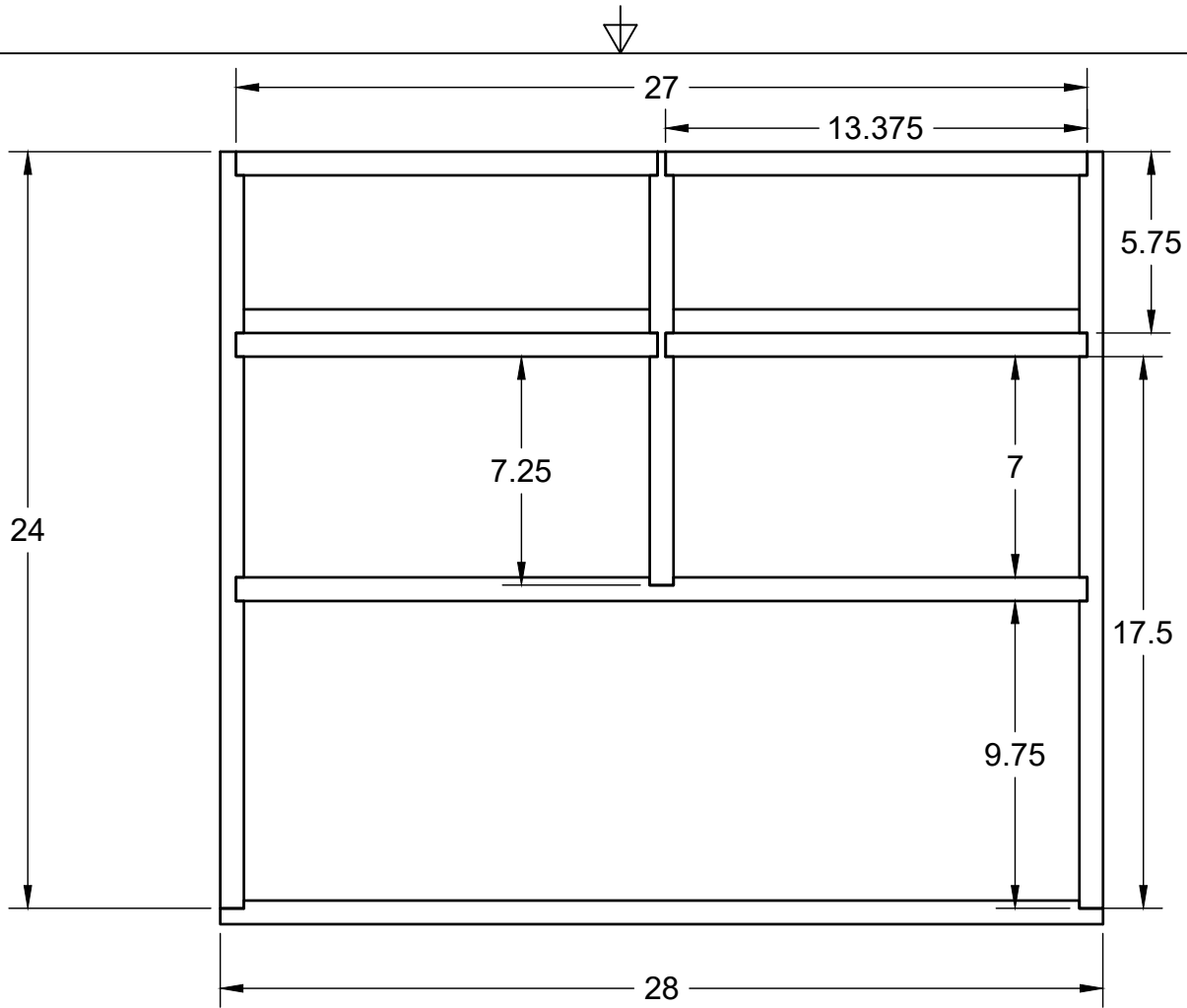


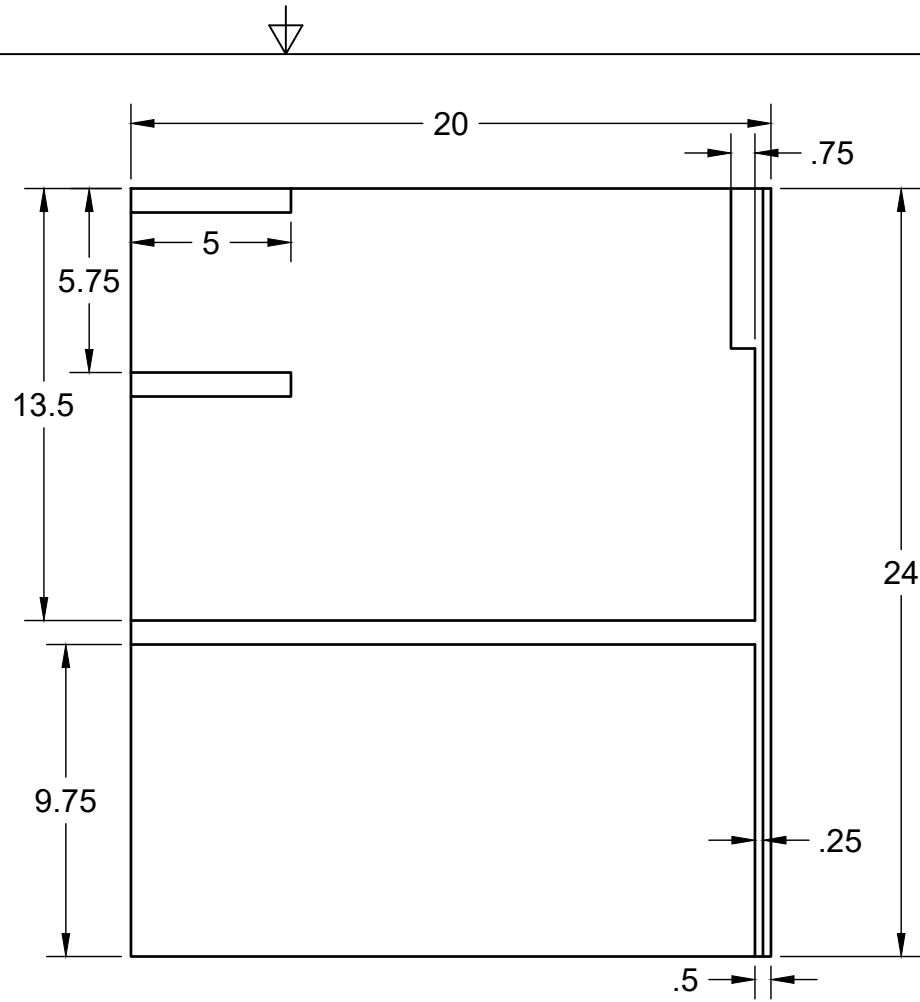
	PROJECT			
	Shop Project			
	TITLE			
	Sanding Station			
APPROVED	SIZE	CODE	DWG NO	REV
CHECKED	A			
DRAWN jf	8/17/2021	SCALE 1:11	WEIGHT	SHEET 1/9



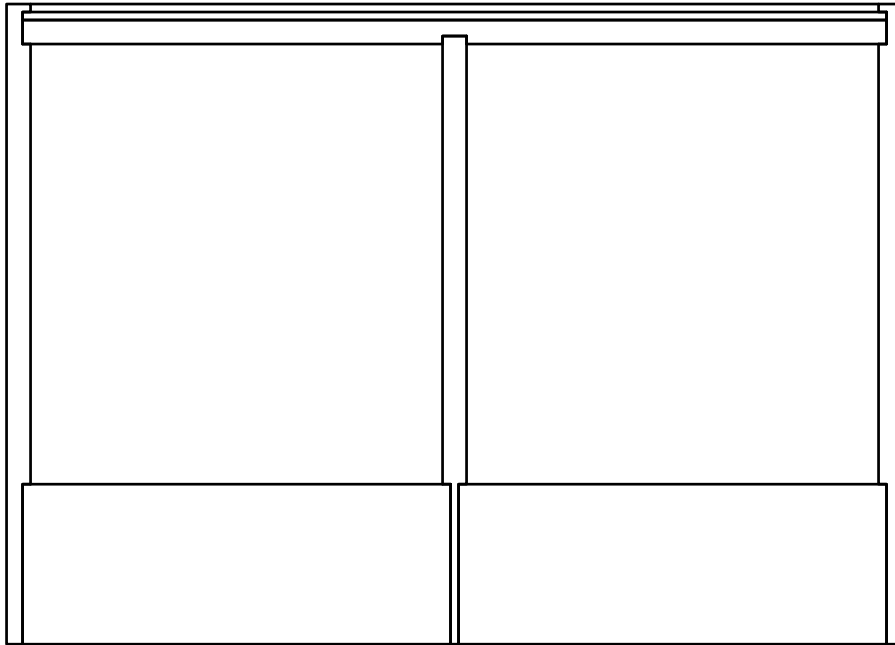
	PROJECT			
	Shop Project			
	TITLE			
	Sanding Station			
APPROVED	SIZE	CODE	DWG NO	REV
CHECKED	A			
DRAWN jf	8/17/2021	SCALE 1:10	WEIGHT	SHEET 2/9



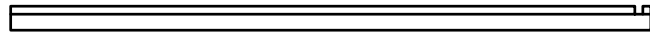
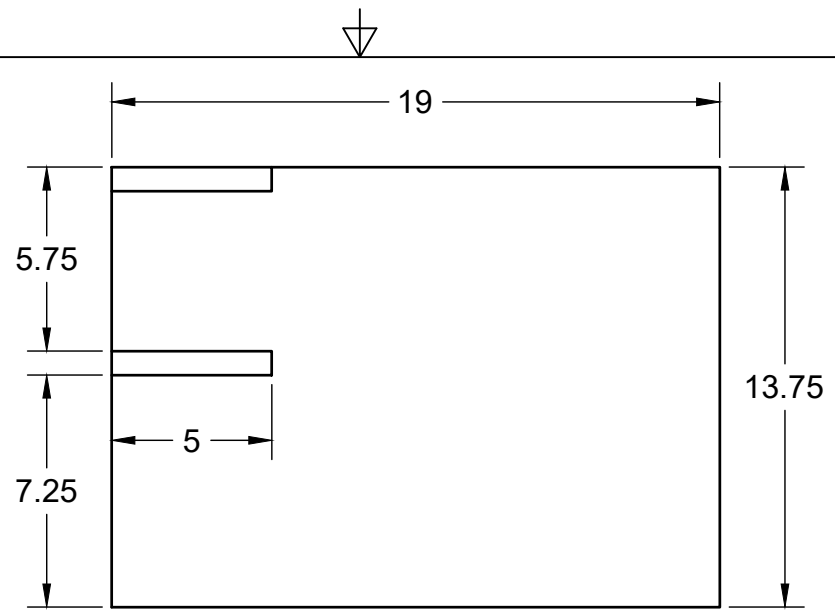
		PROJECT		
		Shop Project		
		TITLE		
		Sanding Station Front		
APPROVED	SIZE	CODE	DWG NO	REV
CHECKED	A			
DRAWN jf	8/17/2021	SCALE 1:6	WEIGHT	SHEET 3/9



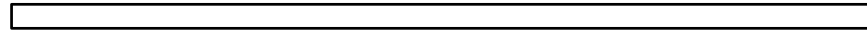
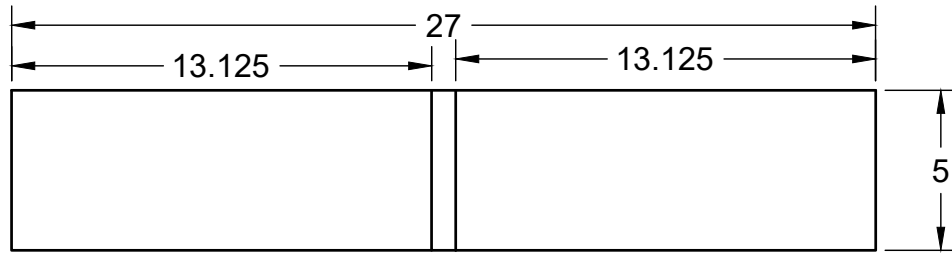
		PROJECT		
		Shop Project		
		TITLE		
		Sanding Station Side		
APPROVED	SIZE	CODE	DWG NO	REV
CHECKED	A			
DRAWN jf	8/17/2021	SCALE 1:6	WEIGHT	SHEET 4/9



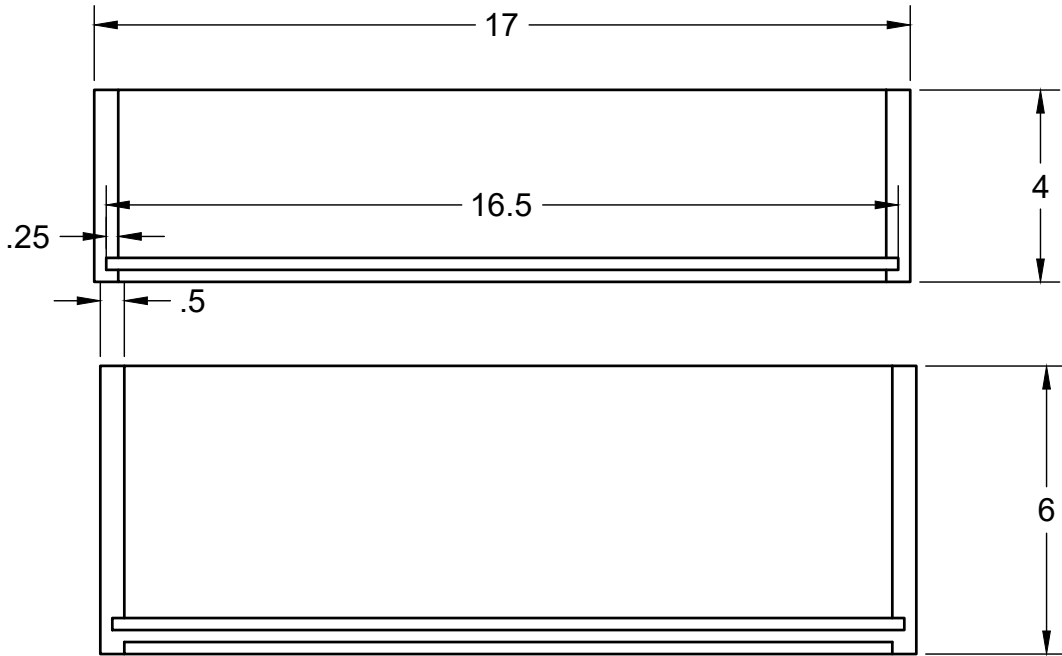
	PROJECT			
	Shop Project			
	TITLE			
	Sanding Station Top			
APPROVED	SIZE	CODE	DWG NO	REV
CHECKED	A			
DRAWN jf	8/17/2021	SCALE 1:6	WEIGHT	SHEET 5/9



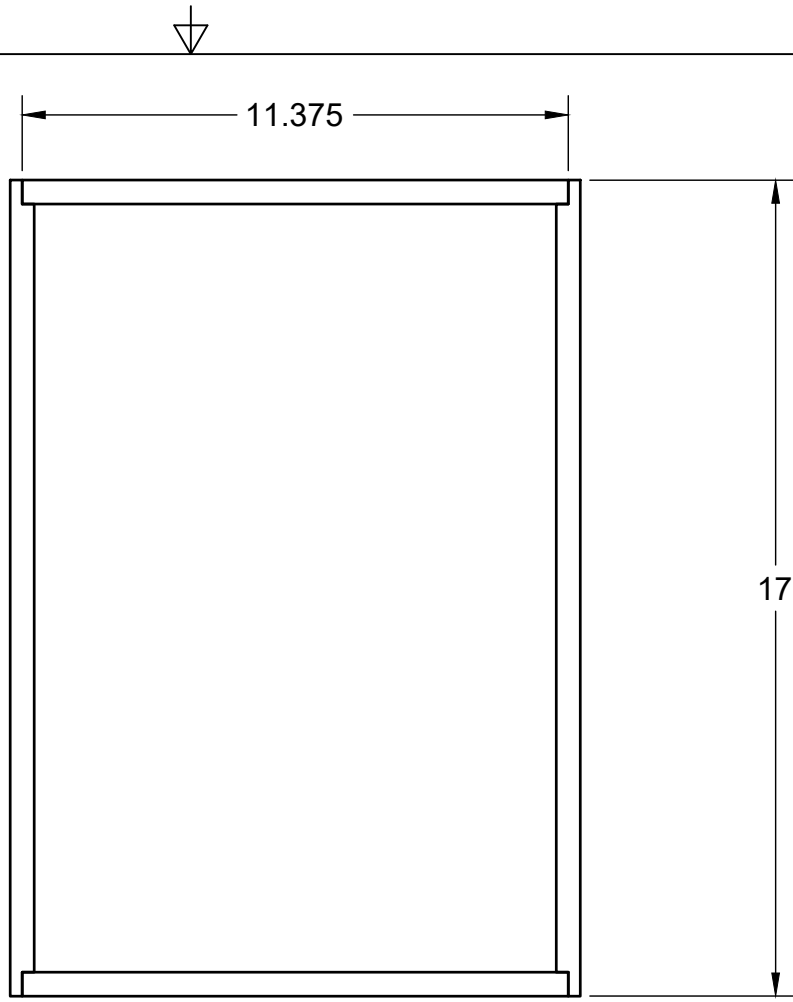
	PROJECT			
	Shop Project			
	TITLE			
	Sanding Station Side			
APPROVED	SIZE	CODE	DWG NO	REV
CHECKED	A			
DRAWN jf	8/17/2021	SCALE 1:6	WEIGHT	SHEET 6/9



	PROJECT			
	Shop Project			
	TITLE			
	Sanding Station Front			
APPROVED	SIZE	CODE	DWG NO	REV
CHECKED	A			
DRAWN jf	8/17/2021	SCALE 1:6	WEIGHT	SHEET 7/9



	PROJECT			
	Shop Project			
	TITLE			
	Sanding Station Drawers - Side			
APPROVED	SIZE	CODE	DWG NO	REV
CHECKED	A			
DRAWN jf	8/17/2021	SCALE 1:4	WEIGHT	SHEET 8/9



	PROJECT			
	Shop Project			
	TITLE			
	Sanding Station Drawers - Top			
APPROVED	SIZE	CODE	DWG NO	REV
CHECKED	A			
DRAWN jf	8/17/2021	SCALE 1:4	WEIGHT	SHEET 9/9